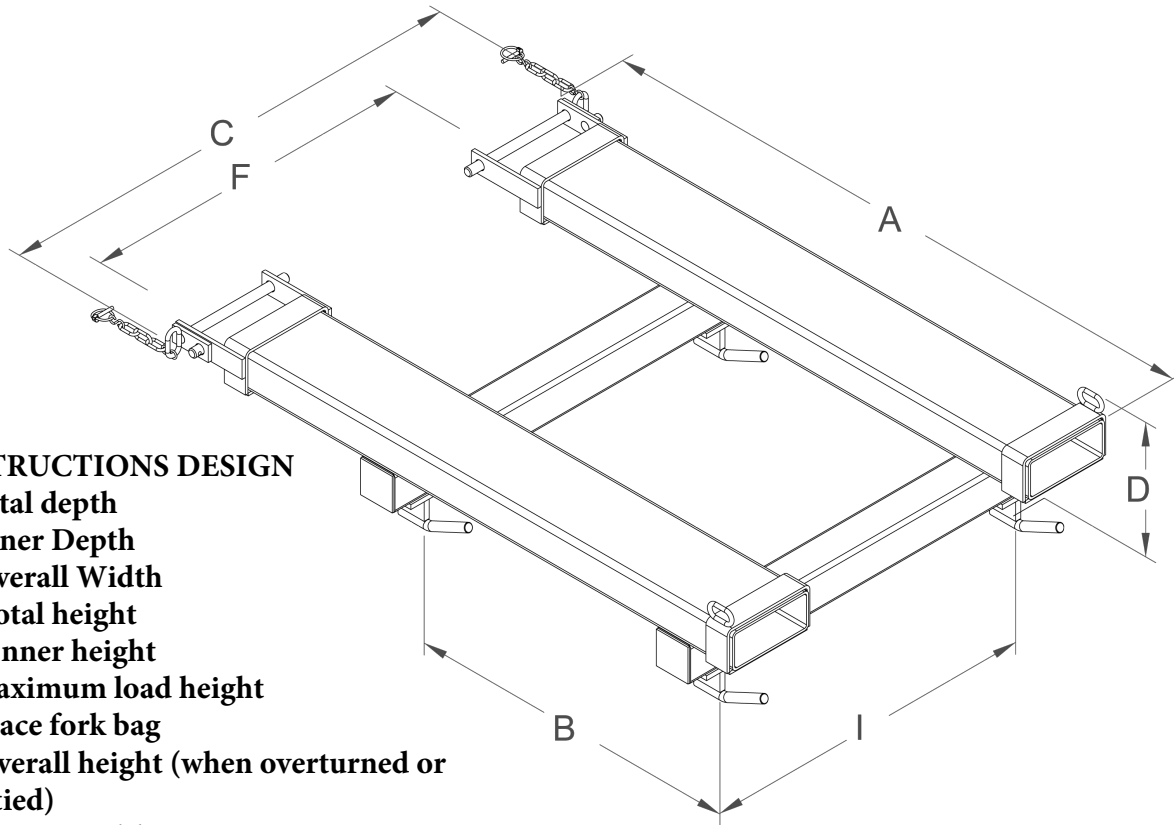


If the measurements are different from our own measurements, please let us know the exact measurements you want. So in this way we can make a good quote.

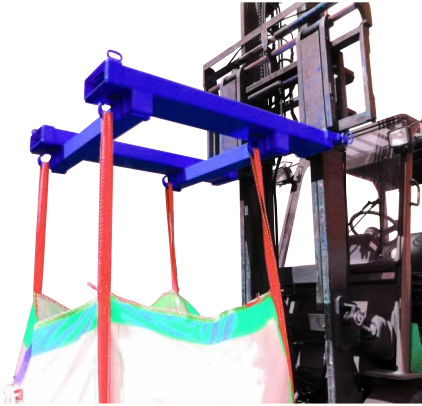
1 ° lifting fork sizes; Thickness, width and length.

2 ° We need, the model of the forklift and its technical characteristics.



INSTRUCTIONS DESIGN

- A: total depth
- B: Inner Depth
- C: Overall Width
- D: Total height
- D2: Inner height
- E: Maximum load height
- F: Space fork bag
- G: Overall height (when overturned or emptied)
- I: Interior width



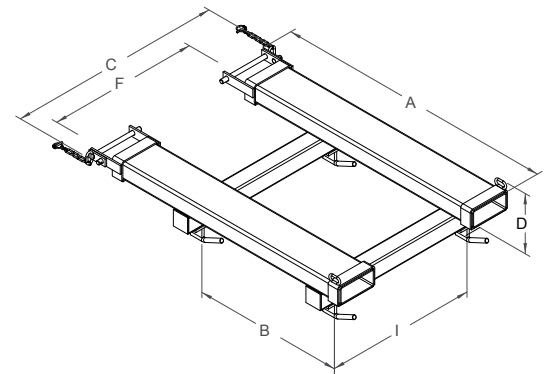
2 MODELS:: HRS 4000 - HRS 6000

HRS 4000 :
4 hooks with safety latch for holding bigbag handles.

HRS 6000 :
4 hooks with quick release..
Safe handling.
Maximum load: 2000 kg.

Direct mounting on forks with fork heel locking device.

Fork aperture 170 x 70 mm and fork spacing (F) can be modified on request.



**CAPACITY
KG**

A B C I D F

**RAL
WEIGHT - COLOR**

2000 - 1300 - 700 - 1000 - 700 - 250 - 700 - 80 - ?

2000 - 1300 - 700 - 1000 - 700 - 370 - 700 - 100 - ?

Dimensions in mm (basic model).

Special constructions and other dimensions on request.

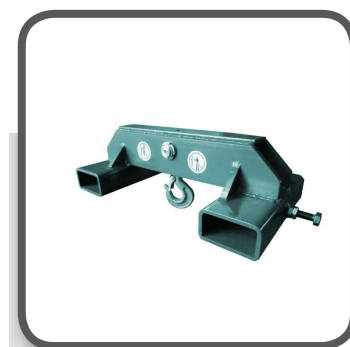
Forklift Lifting Hook

Sturdy forklift parts, attachments, and accessories from "Equipmentliftingsystems" can make loading, unloading and transporting items quicker and easier in the warehouse, at the jobsite and on the dock. Use forklift attachments to lift and transport heavy and oddly shaped materials. Heavy duty forklift rams and booms allow you to move coils, carpet, and pipes to get the most use out of your forklift. Get forklift extensions to for added length and use.

Customized Forklift Attachments

For picking up drums, cylinders and a wide variety of customized handling requirements. Send us your drawings or work with our engineers to design a custom made attachment to suit your application.

Forklift Lifting Hook



MODEL	CAPACITY KG	WIDTH mm	HEIGHT mm	P mm	TARE KG
GSM-1	1000	150	70	150	8
GSM-2	2000	190	90	150	15
GSM-3	3000	190	90	150	20

Forklift Lifting Hook



MODEL	CAPACITY KG	WIDTH mm	HEIGHT mm	P mm	TARE KG
GM-2	2000	420	180	90	25
GM-3	3000	440	200	100	30
GM-5	5000	440	200	100	35